

ACC200-202, ACC250-253 - Quick Start Guide



Exit Buttons

This guide covers the slim exit buttons which are made from zinc alloy with a matt finish. Their slim footprint means they can fit most locations and come supplied with their own back box.

This guide also covers the compact exit buttons, just 53mm wide with a built-in back box. The options available also include the LED illuminated ACC253 model.

User Information

- There are no user serviceable parts, opening or attempting to repair the product will void the warranty.
- Do not install or use the device if the wires connected are damaged or have been subjected to water ingress.
- Shut off all power to the access control system before wiring this device.
- Maintain a clean and safe environment at all times.

Definition

NO (Normally Open) - This is a contact which remains open (as default) until activated, during the "active" state the contact provides a closed circuit and starts conducting.

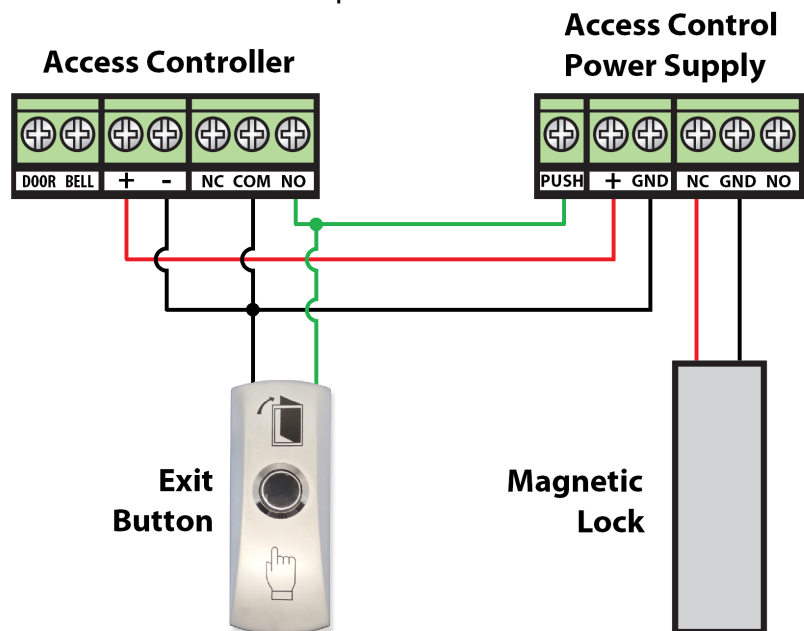
NC (Normally Closed) - Is the opposite of a NO contact. The contact will remain closed (as default) until activated, during the "active" state the circuit breaks and stops current flow.

Setup Example

Exit buttons are used in access control systems to provide a momentary contact signal to the access controller to open a magnetic lock.

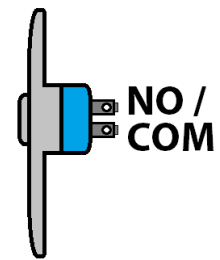
This example shows a "Fail-safe" scenario. When the exit button is pressed the access control power supply then releases power from the lock, and if power is lost then the lock also releases.

Wire in NO or NC depending on the access controller used and also on the required state of the lock during a "Fail-safe" or "Fail-secure" scenario.



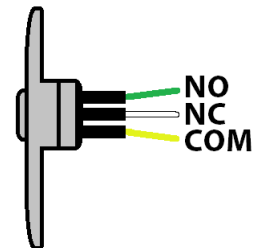
Connections - ACC200

For operation with a door access control panel and lock, the exit button is provided with NO/COM terminals.



Connections - ACC202, ACC250-252

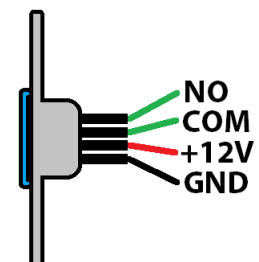
For operation with a door access control panel and lock, the exit button is provided with NC or NO and COM connection wires.



Connections - ACC253

For operation with a door access control panel and lock, the exit button is provided with NC or NO.

The ACC063 also has a built in blue LED which requires 12V DC (not supplied with the product).



Troubleshooting

If the exit button is not activating the lock then there is likely a shorted wire, open circuit or some other failed device in the circuit.

To identify where the fault is, each wired connection in the circuit needs to be tested; working from the push button progress through, including the keypad, the access controller, power supply and the magnetic lock.

If the fault is with the access control button then check the connection wires for continuity and for trapped wires. Check for water ingress on the wired connections. Check the polarity in the power connections and ensure the connections are connected to the proper terminals.

Specification

	ACC200	ACC202	ACC250-252	ACC253
Construction	Zinc Alloy	Zinc Alloy	Zinc Alloy	Zinc Alloy
Terminals	NO/Common (Screw Terminals)	NO/NC/Common (Wires)	NO/NC/Common (Wires)	NO/Common/ +12V DC/ GND (Wires)
Rating	2A12V DC Max	2A12V DC Max	0.5-1A 12V DC Max	0.5-1A 12V DC Max
LED Colour	~	~	~	Blue LED
Dimensions	80 x 30 x 26mm	93 x 35 x 28mm	53 x 53 x 28mm	53 x 53 x 28mm

All specifications are approximate. System Q Ltd reserves the right to change product specifications or features without notice. Whilst every effort is made to ensure that these instructions are complete and accurate, System Q Ltd cannot be held responsible for any losses, no matter how they arise, from errors or omissions in these instructions, or the performance or non-performance of the equipment referred to.

