

ACC300-301 - Quick Start Guide

ACC300



ACC301



Exit Buttons

This guide covers the touch sensitive exit buttons which feature a touch sensitive front with no actual button, meaning they are easy to wipe clean when needed. They come with their own low profile back box.

The mounting holes are spaced so they can also be screwed to a standard UK recessed box for extra wiring room and also feature an illuminated switch front.

User Information

- There are no user serviceable parts, opening or attempting to repair the product will void the warranty.
- Do not install or use the device if the wires connected are damaged or have been subjected to water ingress.
- Shut off all power to the access control system before wiring this device.
- Maintain a clean and safe environment at all times.

Definition

NO (Normally Open) - This is a contact which remains open (as default) until activated, during the "active" state the contact provides a closed circuit and starts conducting.

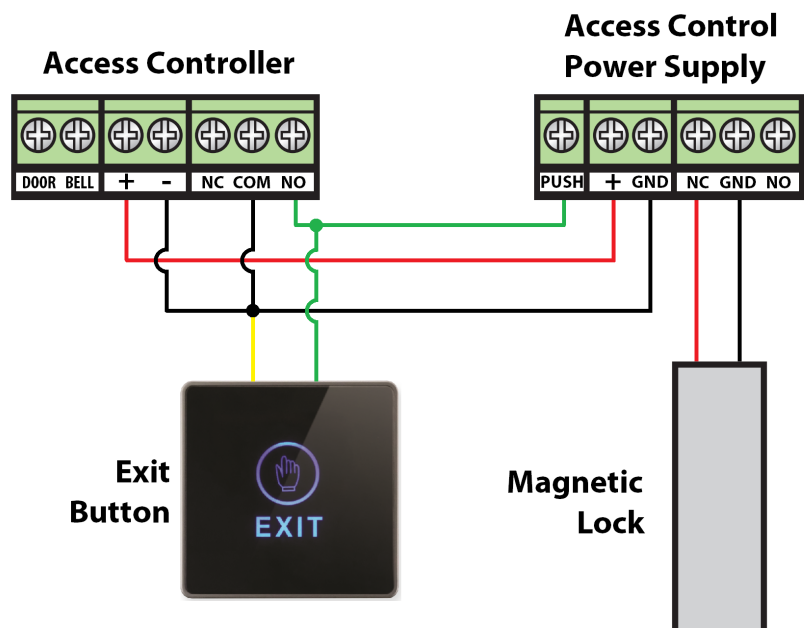
NC (Normally Closed) - Is the opposite of a NO contact. The contact will remain closed (as default) until activated, during the "active" state the circuit breaks and stops current flow.

Setup Example

Exit buttons are used in access control systems to provide a momentary contact signal to the access controller to open a magnetic lock.

This example shows a "Fail-safe" scenario. When the exit button is pressed the access control power supply then releases power from the lock, and if power is lost then the lock also releases.

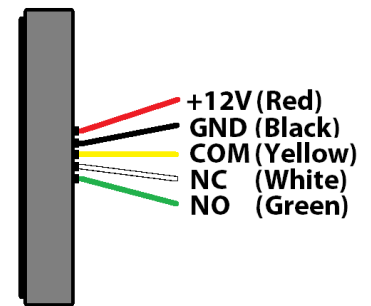
Wire in NO or NC depending on the access controller used and also on the required state of the lock during a "Fail-safe" or "Fail-secure" scenario.



Connections - ACC300-301

For operation with a door access control panel and lock, the exit button is wired with NC or NO.

It also has a built in LED which requires 12V DC (not supplied with the product).



Troubleshooting

If the exit button is not activating the lock then there is likely a shorted wire, open circuit or some other failed device in the circuit.

To identify where the fault is, each wired connection in the circuit needs to be tested; working from the push button progress through, including the keypad, the access controller, power supply and the magnetic lock.

If the fault is with the access control button then check the connection wires for continuity and for trapped wires. Check for water ingress on the wired connections. Check the polarity in the power connections and ensure the connections are connected to the proper terminals.

Specification

| | ACC300/1 |
|---------------------|--|
| Construction | Plastic |
| Terminals | NO/ NC/ Common/ 12-24V DC/ GND (Wires) |
| Voltage | 12-24V DC |
| Rating | 3A 30V DC Max |
| LED Colour | Idle-Blue/Active-Green |
| Dimensions | 86 x 86 x 20mm |

All specifications are approximate. System Q Ltd reserves the right to change product specifications or features without notice. Whilst every effort is made to ensure that these instructions are complete and accurate, System Q Ltd cannot be held responsible for any losses, no matter how they arise, from errors or omissions in these instructions, or the performance or non-performance of the equipment referred to.

