

# ACC351-352, ACC361-362 - Quick Start Guide

**ACC351**



**ACC352**



**ACC361**



**ACC362**



## Exit Buttons

This guide covers the hygienic and convenient range of contactless buttons. These buttons can be activated without touching them to release the door, simply put your hand near to the button to unlock it. The sensitivity can be adjusted to detect at different ranges to suit the installation.

## User Information

- There are no user serviceable parts, opening or attempting to repair the product will void the warranty.
- Do not install or use the device if the wires connected are damaged or have been subjected to water ingress.
- Shut off all power to the access control system before wiring this device.
- Maintain a clean and safe environment at all times.

## Definition

**NO (Normally Open)** - This is a contact which remains open (as default) until activated, during the "active" state the contact provides a closed circuit and starts conducting.

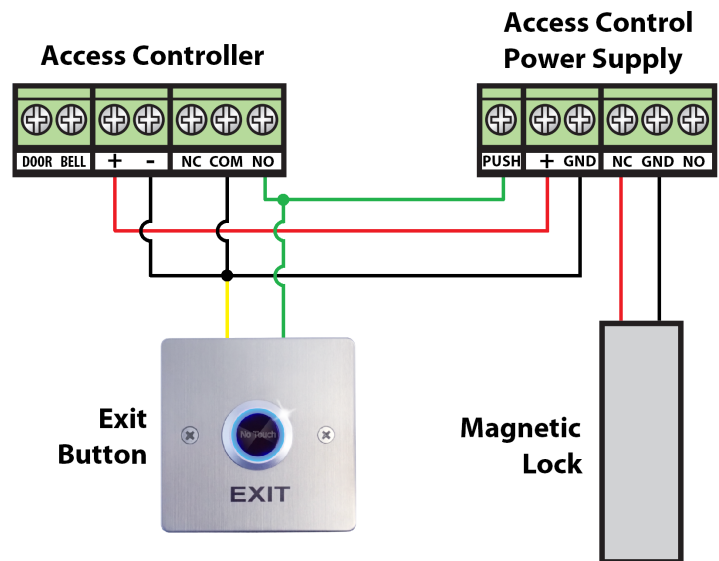
**NC (Normally Closed)** - Is the opposite of a NO contact. The contact will remain closed (as default) until activated, during the "active" state the circuit breaks and stops current flow.

## Setup Example

Exit buttons are used in access control systems to provide a momentary contact signal to the access controller to open a magnetic lock.

This example shows a "Fail-safe" scenario. When the exit button is activated the access control power supply then releases power from the lock, and if power is lost then the lock also releases.

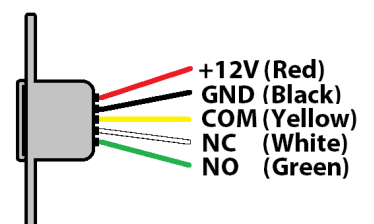
Wire in NO or NC depending on the access controller used and also on the required state of the lock during a "Fail-safe" or "Fail-secure" scenario.



## Connections - ACC351-352, ACC361-362

For operation with a door access control panel and lock, the exit button is wired with NC or NO and COM.

A permanent DC 12-24V supply is required to operate the contactless exit buttons (not supplied with the product).



## Sensitivity & Time Delay Adjustment

### ACC351



#### Time Delay

- Clockwise to increase
- Anti-clockwise to decrease



#### Sensitivity

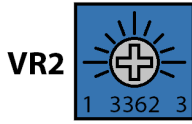
- Clockwise to decrease
- Anti-clockwise to increase

### ACC361



#### Time Delay

- Clockwise to increase
- Anti-clockwise to decrease



#### Sensitivity

- Clockwise to decrease
- Anti-clockwise to increase

### ACC352



#### Sensitivity

- Clockwise to increase
- Anti-clockwise to decrease

### ACC362



#### Time Delay

- Clockwise to increase
- Anti-clockwise to decrease



#### Sensitivity

- Clockwise to increase
- Anti-clockwise to decrease

## Troubleshooting

If the exit button is not activating the lock then there is likely a shorted wire, open circuit or some other failed device in the circuit.

To identify where the fault is, each wired connection in the circuit needs to be tested; working from the push button progress through, including the keypad, the access controller, power supply and the magnetic lock.

If the fault is with the access control button then check the connection wires for continuity and for trapped wires. Check for water ingress on the wired connections. Check the polarity in the power connections and ensure the connections are connected to the proper terminals.

## Specification

	ACC351	ACC352	ACC361	ACC362
<b>Construction</b>	Stainless Steel	Stainless Steel & Plastic	Plastic	Alloy
<b>Detection Range</b>	50 – 200mm	80 – 420 mm	90 - 300mm	80 - 200mm
<b>IP-Rating</b>	IP68	Internal Use	IP68	
<b>Latch</b>	1-30 secs	Mimic	1-30 secs	1-25 secs
<b>LED Colour</b>	Idle-Blue/ Active-Green	Idle-Blue/ Active-Green	Idle-Red/ Active-Green	Idle-Blue/ Active-Green
<b>Rating</b>	2A @12V DC	3A @ 12V DC	2A @ 24V DC	
<b>Terminals</b>	NO/ NC/ Common/ 12-24V DC/ GND (Wires)			
<b>Voltage</b>	12-24V DC			
<b>Dimensions</b>	86 x 86 x 20mm	86 x 86 x 37mm	86 x 86 x 20	80 x 32 x 23mm

All specifications are approximate. System Q Ltd reserves the right to change product specifications or features without notice. Whilst every effort is made to ensure that these instructions are complete and accurate, System Q Ltd cannot be held responsible for any losses, no matter how they arise, from errors or omissions in these instructions, or the performance or non-performance of the equipment referred to.

