

## ACC518, ACC520 - Quick Start Guide



### Strike Locks

Strike locks are designed to replace the original latch plate in a door frame.

The ACC520 is Fail Safe lock which unlocks when power lost ideal for emergency exits.

The ACC518 is a Fail Secure lock on power loss perfect for security doors.

### User Information

- There are no user serviceable parts, opening or attempting to repair the product will void the warranty.
- Do not install or use the device if the wires connected are damaged or have been subjected to water ingress.
- Handle the equipment carefully. The holding force can be reduced by damaging the lock body.
- The strike lock should be fixed tightly in the door frame.
- Shut off all power to the access control system before wiring this device.
- Maintain a clean and safe environment at all times.

### Definition

**NO (Normally Open)** - This is a contact which remains open (as default) until activated, during the "active" state the contact provides a closed circuit and starts conducting.

**NC (Normally Closed)** - Is the opposite of a NO contact. The contact will remain closed (as default) until activated, during the "active" state the circuit breaks and stops current flow.

### Setup Example

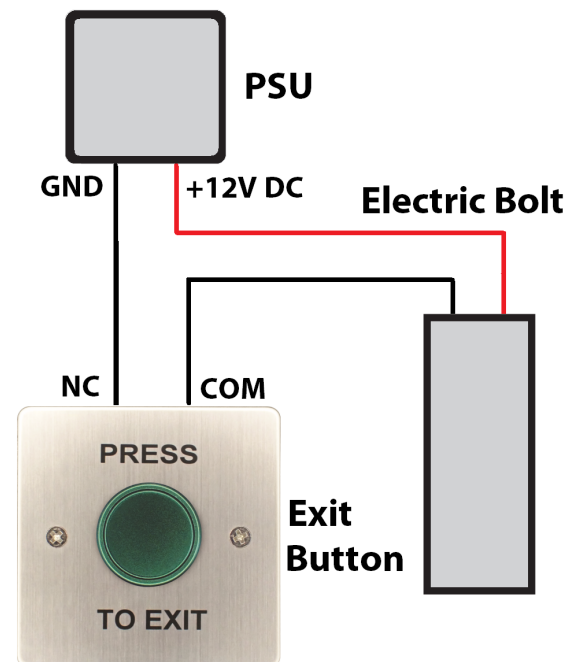
The ACC520 is a Fail Safe strike lock making it ideal for emergency exits. They work by keeping the door locked until power is cut when an emergency exit button is pressed or the building loses power. When this happens the doors will unlock allowing staff and visitors to safely leave the building.

This example shows a the ACC520, when the button is activated, power supply then releases power from the lock, and if power is lost then the lock also releases.

Connect the control device and power to the lock via an access control panel, relay or exit button so that the power can be cut when triggered.

For a Fail Secure setup the ACC518 strike lock works the opposite way to most electronic locks as they are designed to lock the door when their power is cut.

The lock can also be connected to a HRM250 - 10 function relay. A custom set length of time can be set for how long the power is cut from the lock.



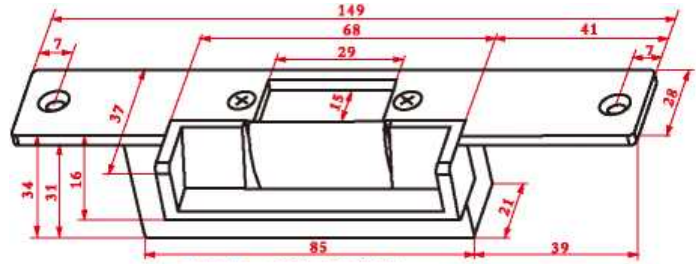
This allows for installations where the exit button isn't situated next to the door and a timed released is required.

## Mounting

Cut the hole for the electric bolt in the door frame.

Ensure a channel or hole is made for the cables and ensure they are protected by using a protection guard or conduit if exposed.

Then fix the lock to the door frame and the plate to the door using the screws provided.

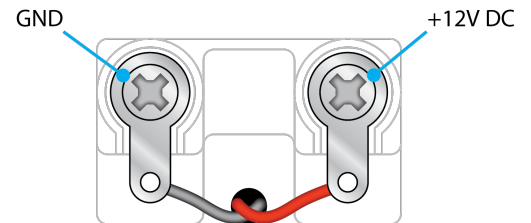


## Connections

The strike locks are provided with screw terminals which can be soldered to the incoming power connections.

**Red** = +12V DC

**Black** = GND



## Troubleshooting

If the door release is not activating the lock then there is likely a shorted wire, open circuit or some other failed device in the circuit.

To identify where the fault is, each wired connection in the circuit needs to be tested; working from the door release progress through, including the power supply and the lock.

If the fault is with the door release then check the connection wires for continuity and for trapped wires. Check for water ingress on the wired connections. Check the polarity in the power connections and ensure the connections are connected to the proper terminals.

	<b>ACC518</b>	<b>ACC520</b>
<b>Lock Type</b>	Fail Secure (NO)	Fail Safe (NC)
<b>Design</b>	Mortice Mount	
<b>Voltage</b>	12V DC / 230mA (Unlocked)	12V DC / 135mA (Locked)
<b>Construction</b>	Metal	
<b>Dimensions</b>	(H) 149 x (W) 37 x (D) 34mm	

All specifications are approximate. System Q Ltd reserves the right to change product specifications or features without notice. Whilst every effort is made to ensure that these instructions are complete and accurate, System Q Ltd cannot be held responsible for any losses, no matter how they arise, from errors or omissions in these instructions, or the performance or non-performance of the equipment referred to.

